



LINGJACK
林傑

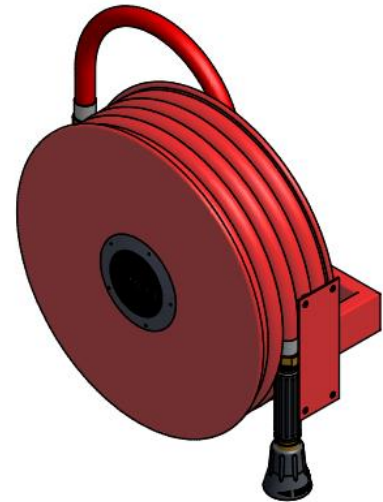
FIRE HOSE REEL

1" x 30M SS HOSE REEL WITH GUNMETAL WATERWAY

MODEL : HR-0279

Specification :

- Hose Size : 1" x 30m
- Design Pressure : 20 bar
- Working Temperature : 5 Deg C to 55 Deg C
- Hydrostatic Test Pressure : 30 bar at 5 mins
- Nozzle : C18 Hand Grip Brass Jet Spray Nozzle
- Flow Rate (Jet) : 162.3 lpm at Inlet 6 bar
- K-Factor : 66.26
- Distance (Jet) : 20m at Inlet 6 bar
- Drum Material : SS316 Stainless Steel Plate
- Overall Size : Dia.: 585 x 260 (±5) (Depth)
- Finishing : RAL 3001
- Gross Weight : 27 kg



Features :

- Outdoor UV Resistance Polyester Powder Coated Hose Reel
- High Quality and Pressure Red Semi-Rigid Fire Hose Approved to EN694 : 2014
- 3 Way Control Nozzle (Spray-Jet-Off)
- Gunmetal 180° Double Swing Waterway
- Flexible Mounting Position
- For Offshore Application
- Design Accordance to Norsok Requirement

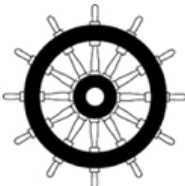
Standards : Manufactured in accordance with EN 671-1 : 2012

Approvals : LPCB (UK), Wheel Mark (MED)

Origin : Made in Singapore



EN 671 - 1: 2012
Cert No. 501b



0832

GOOD QUALITY GREAT SERVICES

www.lingjack.com