



LINGJACK
林傑

PILLAR HYDRANT

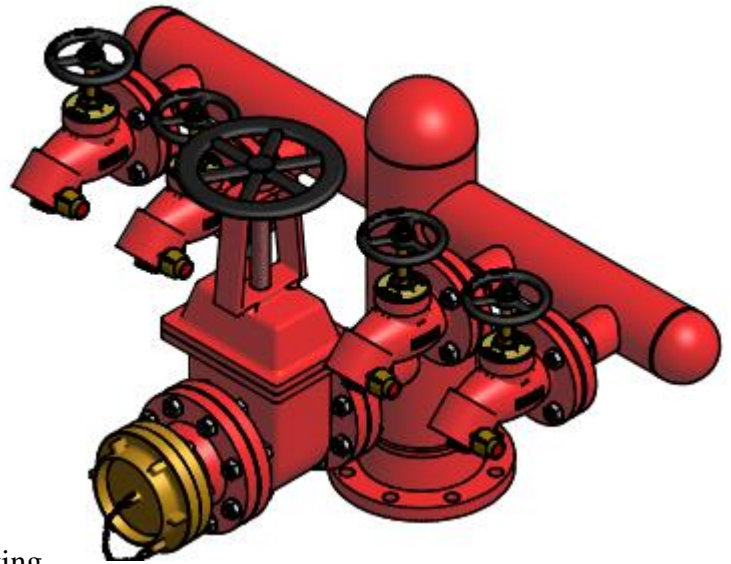
4 WAY PILLAR HYDRANT WITH BIB NOSE VALVE AND 5" STORZ MODEL : PH150CSP

Specification :

- Inlet : 6" ANSI #150
- Pumper Inlet : 5" Storz Coupling
- Outlet : 2 ½" BS336 Instantaneous Female
- Design Pressure : 16 bar
- Body Test Pressure : 25 bar
- Body Material : Carbon Steel (Sch 40)
- Gross Weight : 165 kg (Approx)

Features :

- Red Color To RAL 3001
- External 2 Layer Polyurethane Marine Paint Coating
- Easy to Maintain
- For Private & Public Installation



Standards : Tested to BS EN 14384 : 2005

Approvals : SETSCO

Origin : Made in Singapore



GOOD QUALITY GREAT SERVICES

www.lingjack.com